

E500RM8, 5-inch Rugged Industrial PDA

An enterprise-class PDA with powerful mobile computing solution.

Winmate's E500 Series PDA is an enterprise-class PDA with powerful mobile computing solution. The E500 Series PDA brings a new level of flexibility, functionality and rugged design to pocket-sized mobile devices, providing task workers and managers with the power to streamline business processes, increasing productivity and improving customer service.

The E500 packs WLAN, Bluetooth, GPS, and WWAN function - all into a single device. With great multiple wireless communication design, this product will be applicable to mobile worker, business application, and IT requirements.



Highlights

- Cortex A53- Octa Core 1.3GHz
- 5" 1280 x720 Panel with direct optical bonding
- Support NFC function
- IP65 waterproof and dustproof
- Rated for extreme temperature use
- Optional 1D/2D Barcode Reader and Fingerprint Reader for data collection
- Optional Hot-swappable battery design
- Optional Smart Card Reader

NFC Tag Support

Support Card Type (13.56 MHz)	
NFC Forum Platform	Type 1, Type 2, Type 3, Type 4
ISO 15693	TI HF-I Plus, TI HF-I Pro, NXP-Code SLI
ISO 14443-A	NXP Mifare_One(S50_4byte), NXP Mifare_One(S50_7byte), NXP Mifare_One(S70_4byte), NXP Mifare_UltraLight, NXP Mifare_UltraLight C NXP Mifare_DesFire_EV1 NXP Mifare_Plus S/X
ISO 14443-B	Ifineon JTOP
ISO 18092(R/W)	SONY Felica Lite s, SONY Felica Lite

E500RM8, 5-inch Rugged Industrial PDA

An enterprise-class PDA with powerful mobile computing solution.

Display Specification

Size	5-inch
Resolution	1280 x 720
Brightness	500 nit
	With Direct optical bonding for sunlight readable
Touch	Multi-touch projected capacitive
Contrast Ratio	800:1
Viewing angle	80/80/80/80
Technology	<ul style="list-style-type: none">• Ambient light sensor, e-compass, gyro, and acceleration sensors• Automatic screen rotation

System Specification

Processor	ARM® Cortex™-A53 Octa-core 1.3 GHz
System Memory	2GB RAM ¹
Storage	16GB Emmc
	Additional storage available with optional Storage Card: SDHC (up to 32 GB),
Operating system	Android 7.0

Wireless Communication

WLAN	802.11 a/b/g/n
Bluetooth	Bluetooth 4.1
GPS	GPS / AGPS / GLONASS
	Accuracy < 3m
WWAN	GSM/GPRS/EDGE, b2/b3/b5/b8
	WCDMA/HSDAP/HSPUA, b1/b2/b4/b5/b8
	FDD-LTE / TDD-LTE, b1/b3/b4/b7/b8/b20/b38/b39/b40/b41

Interface

Docking Connector	1 x docking connector
USB	1 x Micro USB
Power input	1 x Power Jack
Micro SD	1 x Micro SD Card Slot
SIM Card Slot	2 x SIM Card Slot

Keyboard and Input

Touch	10-point multi touch, support Hand / Gloves and Rain Mode
	On-screen QWERTY keyboard
Button	1 x Volume +/-, 1 x Power Button, 2 x Function Button
LED Indicators	1 x LED indicators

Audio

Microphone	2 x Built-in Mic
Speaker	1 x 1.2 W speaker
Earphone	1 x Earphone

Cameras

Web camera	2MP Camera (Optional by customized)
Rear camera	8MP Camera with LED auxilliary light (auto focus)

Data Capture

NFC	Default NFC (Read / Write, Peer to Peer mode)
Barcode Reader	Optional 1D/2D Barcode Reader ²
Fingerprint Reader	Optional Fingerprint reader ²
Smart Card Reader	ISO7816 Part 1.2.3

Security Function

Mobile Device Mgmt.	SOTI Mobicontrol compatible ³
---------------------	--

Mechanical and Environment

Dimension (W x L x H)	85.9 x 163.2 x 22.5 mm ⁴
Weight	315g
Operating Temperature	-10°C to 50°C (Battery mode)
Humidity	10% to 90% RH, non-condensing
IP Proof	IP65 Certified, waterproof and dustproof
Drop	MIL-STD-810G Method 516.6, 5 ft to concrete

Power Management

Battery	3.7V 3900mAh Li-ion removable battery, optional for Hotswappable function
Battery Operating Time	20Hr ⁵
Adapter	5V 2A Adapter

Accessories

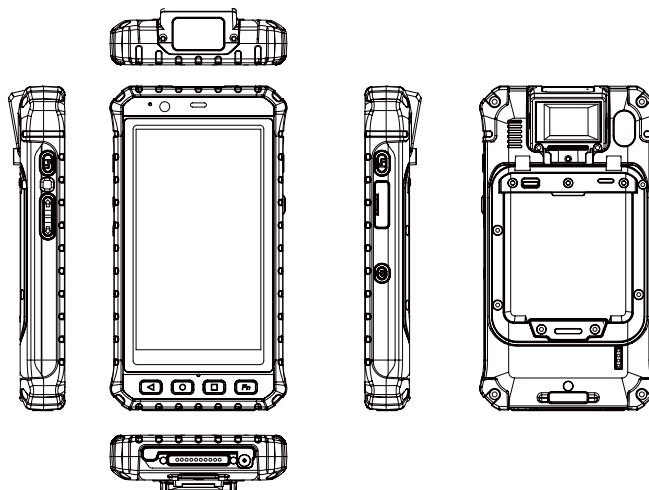
Standard Accessories

Power Plug (Based on Customer's Country)	604610606003 (US/JP) 604610606004 (EU) 604610606005 (AUS) 604610606006 (UK) 604610606007 (CN)
Universal Adapter	9226010W05V0
Micro USB Cable	9487049050K0
Micro SD Card	76G004300000
Hand Strap	9B0000000330

Optional Accessories ⁶

Charging Dock 2 bay	98TA05Z00002
Charging Dock 6 bay	98DP05A00001
Battery Charging Dock 2 bay	98K004A0000G
Battery Charging Dock 6 bay	98K000A0004G
Battery	32040370400B

Drawing ⁷



Caution

Do Not Expose the Battery Pack to Excessive Heat, or Extreme Heat (Near Fire, in Direct Sunlight for example)
Do not expose bare skin to this product when handling this unit in extreme hot or cold environments

1. Total usable memory will be less depending upon actual system configuration
2. Barcode reader and Front Camera are mutually exclusive options
3. Computrace theft protection available upon request
4. Length measurements do not include protrusions. Weight varies with options and digitizer pen
5. Measured at dimming LCD brightness. Varies depending on the usage conditions, or when an external device is attached.
6. Accessories and Integrated Options may vary depending on your configuration
7. This is a simplified drawing and some components are not marked in detail.